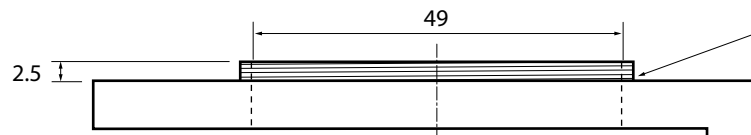
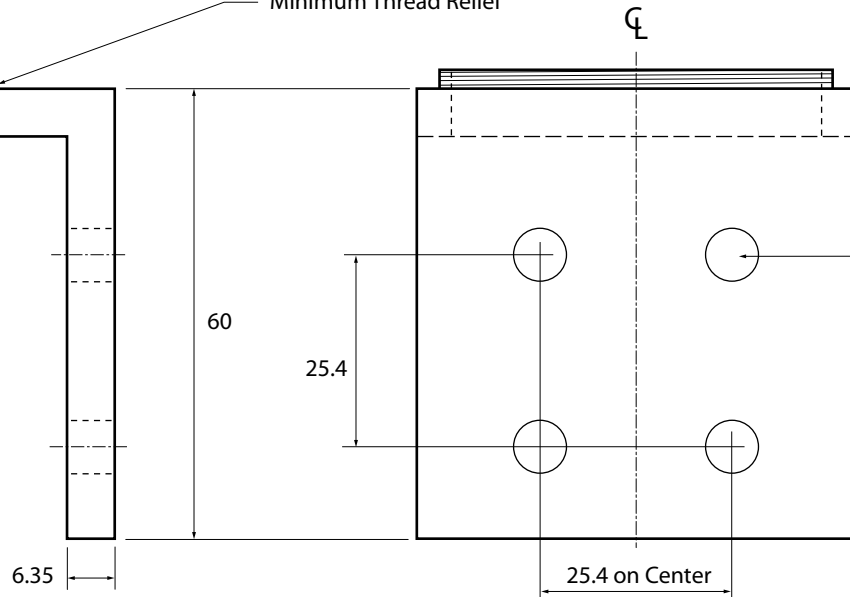


NOTES: - Material: black anodized aluminum
 - Dimensions are in millimeters
 - Scale: 1:1

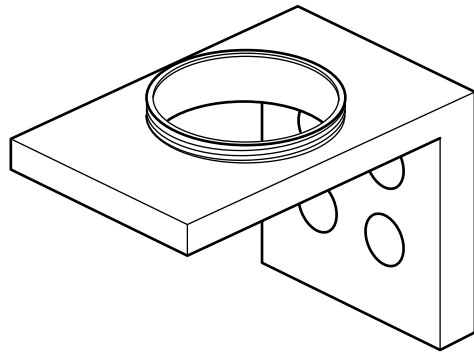
Ø M52 x 0.75 Thread, remove knife edge
 Ø 49 Smooth Bore ID, remove knife edge



Minimum Thread Relief



Ø 7.0 thru (4x)



MIDOPT

Midwest Optical Systems, Inc.
 Machine Vision Filters, Lenses and Accessories
 322 Woodwork Lane, Palatine IL 60067
 P: 847-359-3550 F: 847-359-3567
 www.midopt.com

L2L-50

50mm (2 inch) Light-to-Lens Adapter
 July 2, 2009