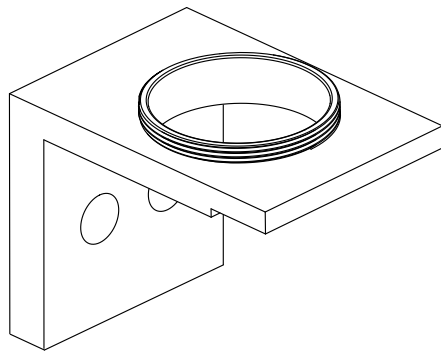
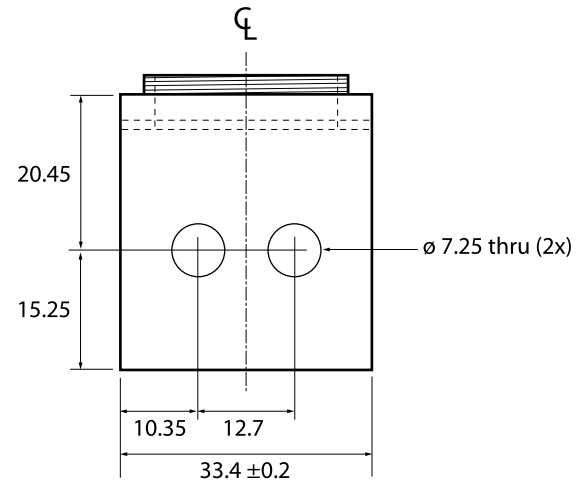
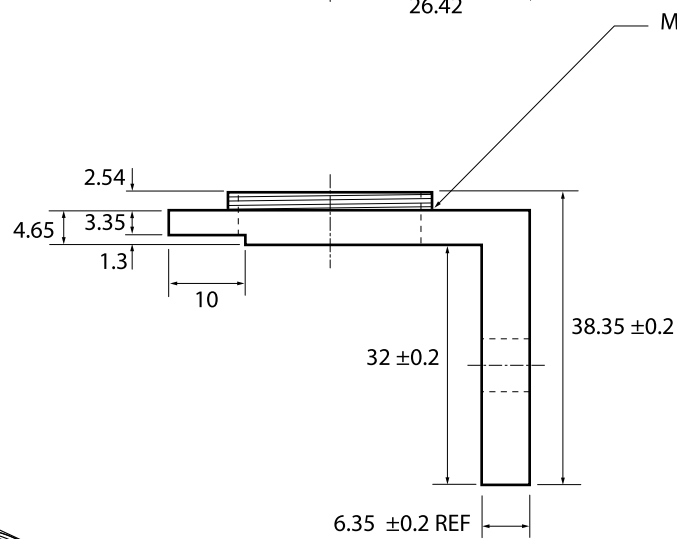
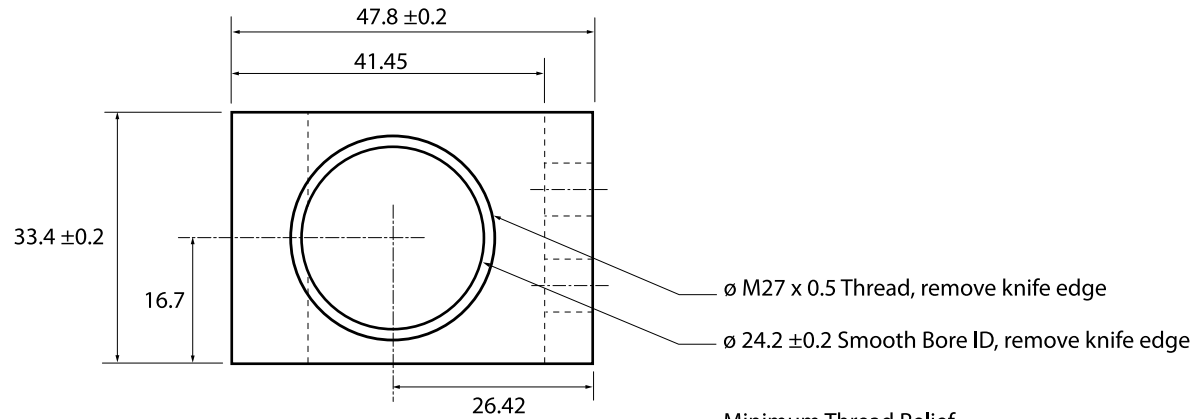


- NOTES: - Material: black anodized aluminum  
 - Dimensions are in millimeters  
 - Tolerances: +/- 0.1mm unless otherwise noted  
 - Scale: 1:1



**MIDOPT**  
 Midwest Optical Systems, Inc.  
 Machine Vision Filters, Lenses and Accessories  
 322 Woodwork Lane, Palatine IL 60067  
 P: 847-359-3550 F: 847-359-3567  
 www.midopt.com

**L2L-25**  
 25mm (1 inch) Light-to-Lens Adapter  
 July 7, 2009